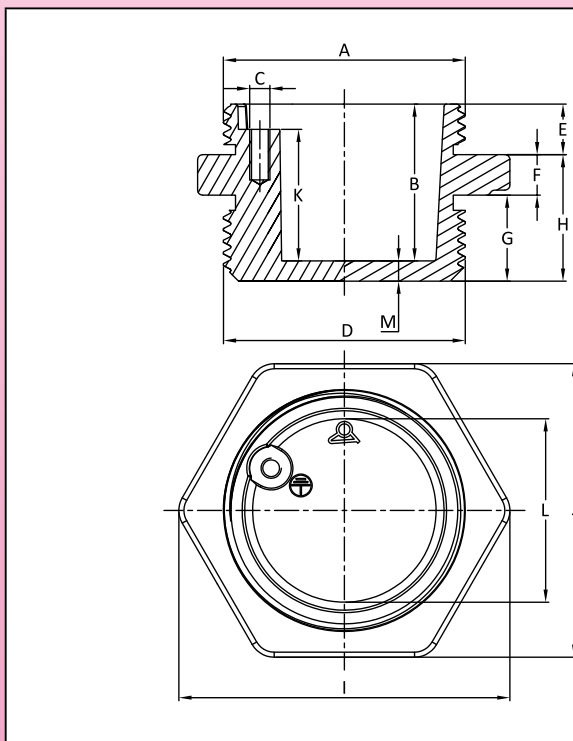


# Messing-Anschlüsse, Doppelgewinde, mit seitlicher Erdungsklemme

Min. Größe	Max. Größe	Material	Typ	Modell
1 1/2"	M77x2	Messing	Doppeltes Gewinde, seitliche Erdung	<b>66RC</b>

Kompatibles Zubehör		
<input checked="" type="checkbox"/> 66JP	<input checked="" type="checkbox"/> 66NL	
<input checked="" type="checkbox"/> 66JF	<input checked="" type="checkbox"/> 66XN	
Kompatible Gehäuse		
<input checked="" type="checkbox"/> Y303	<input checked="" type="checkbox"/> Y3P5	<input checked="" type="checkbox"/> Y3N2
<input checked="" type="checkbox"/> Y304	<input checked="" type="checkbox"/> Y3P6	<input checked="" type="checkbox"/> Y3N3
<input checked="" type="checkbox"/> Y305	<input checked="" type="checkbox"/> Y3H1	<input checked="" type="checkbox"/> Y3N4
<input checked="" type="checkbox"/> Y306	<input checked="" type="checkbox"/> Y3H2	<input checked="" type="checkbox"/> Y3L1
<input checked="" type="checkbox"/> Y307	<input checked="" type="checkbox"/> Y3H3	<input checked="" type="checkbox"/> Y3L3
<input checked="" type="checkbox"/> Y309	<input checked="" type="checkbox"/> Y3J1	<input checked="" type="checkbox"/> Y3S3
<input checked="" type="checkbox"/> Y310	<input checked="" type="checkbox"/> Y3J2	<input checked="" type="checkbox"/> Y3S5
<input checked="" type="checkbox"/> Y3P1	<input checked="" type="checkbox"/> Y3G1	<input checked="" type="checkbox"/> Y3SA
<input checked="" type="checkbox"/> Y3P3	<input checked="" type="checkbox"/> Y3G2	<input checked="" type="checkbox"/> Y3S7
<input checked="" type="checkbox"/> Y3P4	<input checked="" type="checkbox"/> Y3N1	



	1-1/2"	M45x2	2"	2-1/2"	M77x2
A	1-1/2"	M45x2	2"	2-1/2"	M77x2
B	31	31	34	34	34
C	M4	M4	M5	M5	M5
D	1-1/2"	M45x2	2"	2-1/2"	M77x2
E	10	10	10	10	10
F	8	8	8	8	8
G	17	17	20	20	20
H	25	25	28	28	28
I	65.5	65.5	79.5	102.5	102.5
J	Hex 58	Hex 58	Hex 70	Hex 90	Hex 90
K	26	26	28	28	28
L	Ø36	Ø36	Ø50	Ø66	Ø66
M	4	4	4	4	4

## Hauptreferenzen

Maße	Referenzen	Maße	Referenzen
1-1/2"	66RCA3T0000000000	2-1/2"	66RCA700000000000
M45x2	66RCMD0000000000	M77x2	66RCMG0000000000
2"	66RCA500000000000		

Rote Maßangaben in rechteckigen Rahmen dienen der Montage an Gehäusen oder an Anschlüssen.

